

# THE WORLD'S LEADING CAD/CAM SOFTWARE COMPANY

That's what we do. That's all we do.



**Mastercam**®

POWERED BY MASTERCAM'S  
DYNAMIC MOTION™ TECHNOLOGY



MILL

LATHE

MILL-TURN

SWISS

WIRE

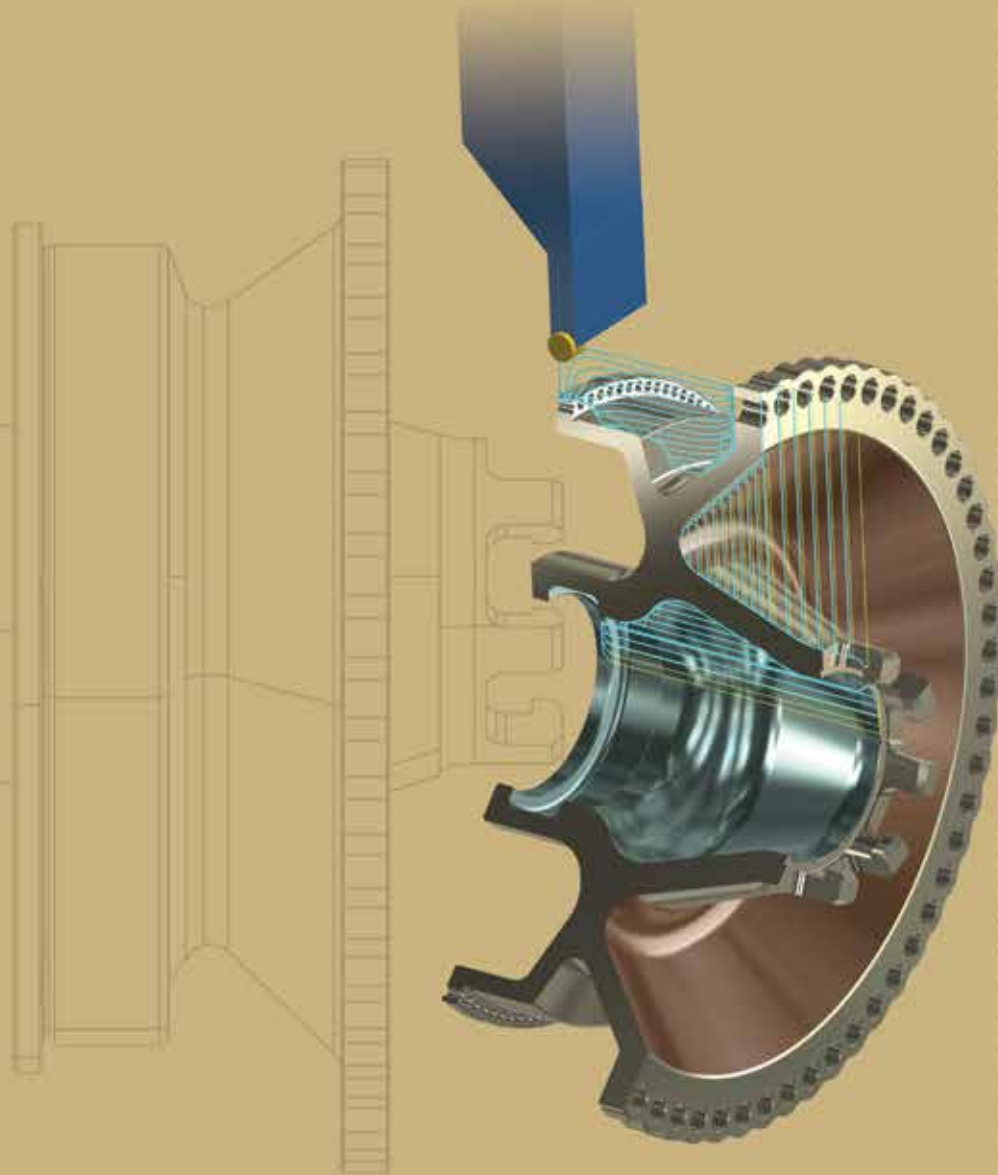
ROUTER

MASTERCAM for  
SOLIDWORKS®

DESIGN

LATHE

# FAST, EASY, AND PRECISE TURNING.



Mastercam Lathe lets you move the same part file between milling and turning operations with ease and confidence.

**Mastercam**®

POWERED BY MASTERCAM'S  
DYNAMIC MOTION™ TECHNOLOGY



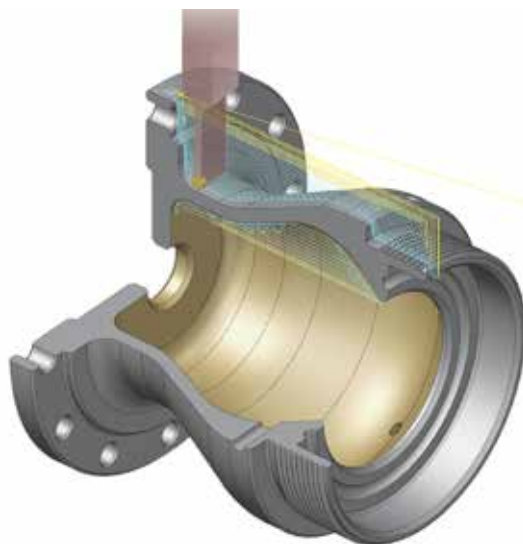
# POWERFUL, FLEXIBLE TOOLS FROM THE MARKET LEADER.

**Mastercam Lathe gives you a set of tools that streamline your entire process.**

From accepting and programming any CAD file to Dynamic roughing and precision finishing, Mastercam Lathe gives you a variety of techniques to turn all of your parts exactly as you need them.

## Efficient programming, designed for modern manufacturing.

Mastercam Lathe delivers a set of basic and advanced programming tools, with greatly expanded options when paired with Mastercam Mill. Easy rough, finish, thread, groove, bore, and drill routines combine with C/Y-axis machining to cut any job. Dependable toolpath verification gives you the confidence to run the most complex toolpaths on your machine, and ensures your parts are done right the first time.



Mastercam Lathe will easily cut your turned parts and let you seamlessly move between operations or even machines with the same part.



With your standalone license of **Mastercam Lathe**, you now have the option of also running the corresponding version of **Mastercam for SOLIDWORKS**.

## Key turning features.

- **Quick Toolpaths** let you program in a few clicks.
- Intelligent ID and OD roughing.
- **Dynamic Motion** roughing extends insert life.
- Fast facing including roughing and finishing.
- Grooving with multiple depth cuts, including peck motion and full-radius plunge turning.
- Complete threading with multiple starts, diameter calculation, and thread tables.
- Easily control chip breaks on stringy material.
- **Automatic gouge checking** on the tool's front and back.
- Chuck, part, steady rest, and tailstock detection.
- Open, quickly align, and directly machine a solid model.
- Quick-turned profile generation for uniform and non-uniform parts.
- **Full milling support available** for machines with live tooling for C- and Y- axes.

For more information, visit [MastercamLathe.com](http://MastercamLathe.com)