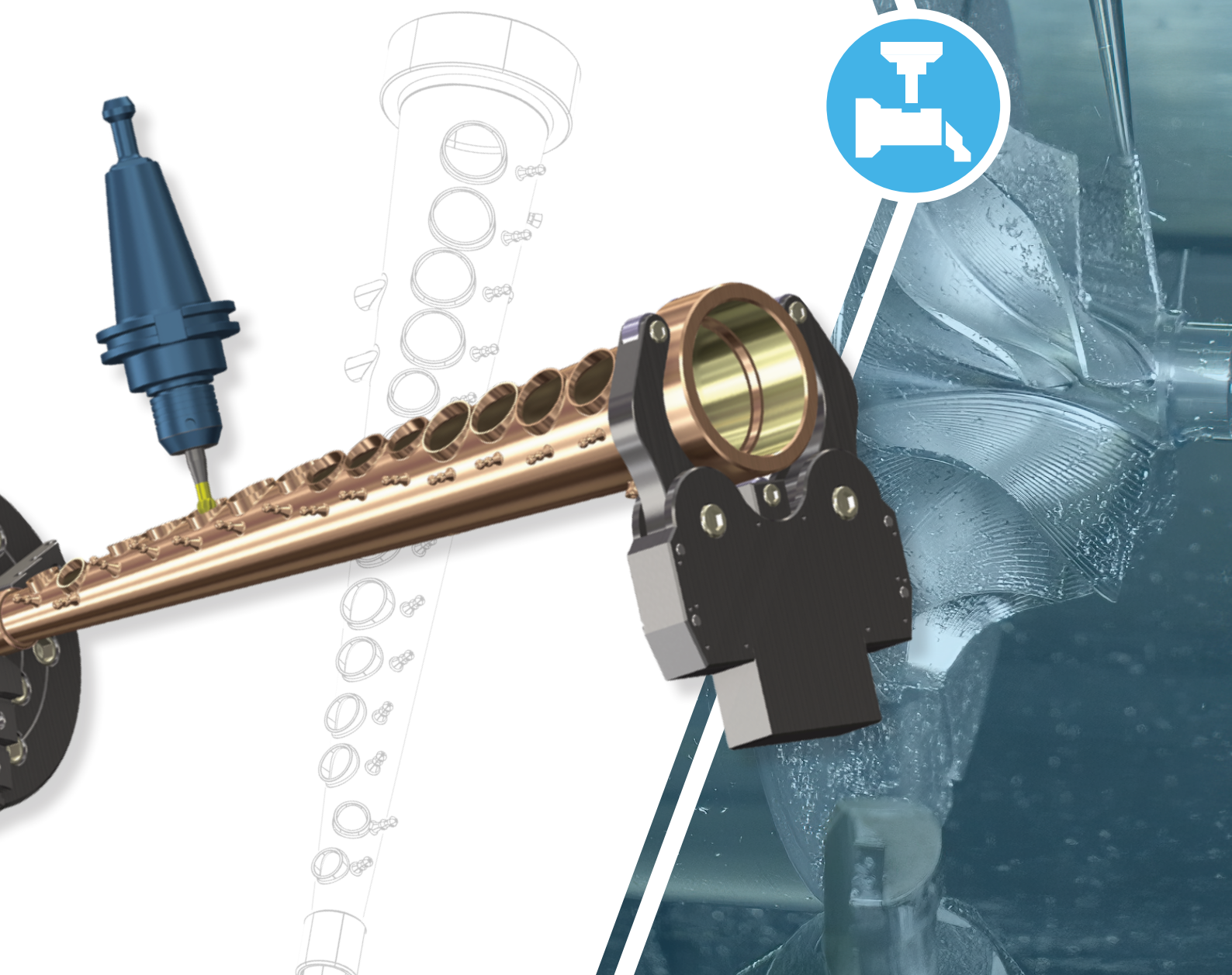


Mastercam

MILL-TURN

Automate your complex programs for high-powered, multitasking machining centers. Program it right the first time, every time.

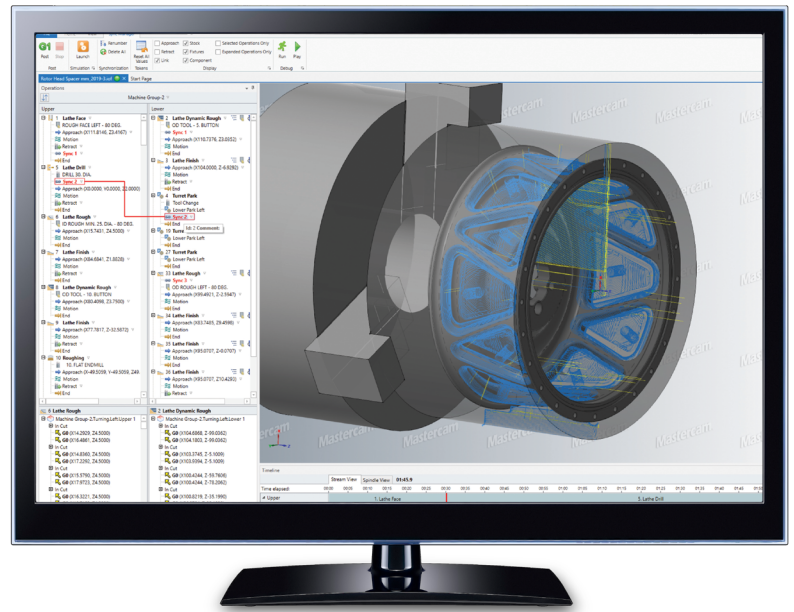


STREAMLINED MACHINING CAPABILITIES

Mastercam Mill-Turn simplifies control of high-powered, multistream machining centers.

With Mastercam, your workflow is efficient. Choose your machine, and Mastercam Mill-Turn automates part transfers, tool planes, stock definition, and setup. Then apply your toolpaths, quickly synchronize them, verify your project with simulation, and post your code. Changes along the way are fast and easy — the way programming should be.

Mill-Turn's Sync Manager is a user-friendly way to optimize part cycle times and manage interactions between toolpath operations. Easily navigate a Gantt-style timeline and vertical stream interface to coordinate operations and track cycle times.



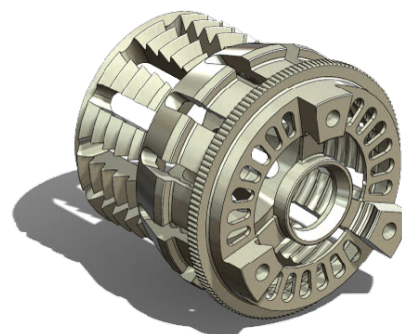
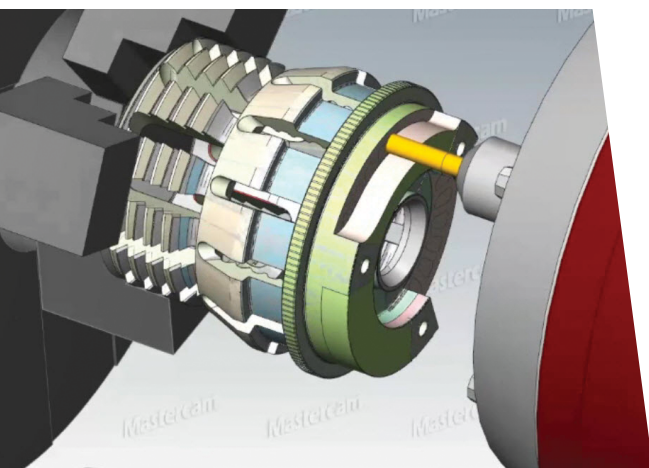
Fast, flexible setup, synchronization, and simulation combine to help you get the most out of your mill-turn machines.

Get more out of your machines with Machine Simulation.

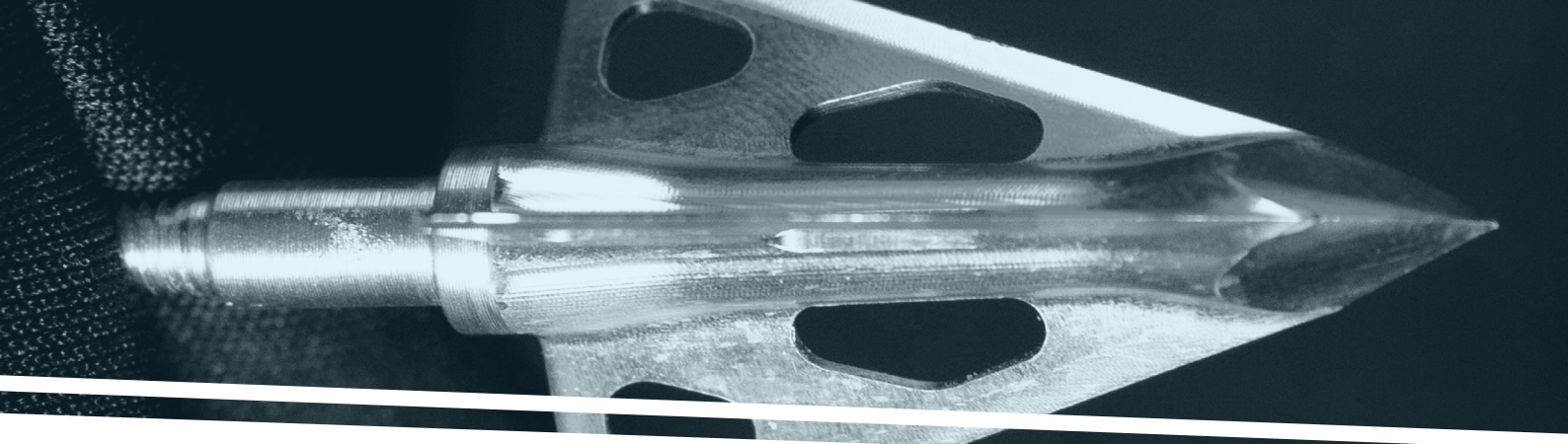
Machine Simulation provides visual verification and assurance that the interaction and syncing between operations performs exactly as you planned. Validate against potential collisions and track cycle time estimates to achieve maximum efficiency.

Avoid mistakes. Save time and money.

Machine components, custom workholding, multiple steady rests, tailstock, tools, and parts are simulated from the safety of your desktop, ensuring a safe and secure machining experience. You can identify potential optimize your processes with simulation. View all streams and statistics of the entire machining process, with the capability to jump to any point in the process with the click of a button.



Get the most from your machine with multistation and half-index tool support.



THE CHOICE IS YOURS

When you choose Mastercam, you get more than a license to run CAD/CAM software. You secure flexible options to empower your business and manufacturing operations — with the added value of shop-tested technology, responsive support, and a voice to guide future CAD/CAM developments.

FOR A MANUFACTURING SOLUTION THAT WORKS FOR YOU, CHOOSE MASTERCAM.



Trusted software and the world's largest CAM network give you the power to advance your manufacturing at a pace that works for you.



Perpetual licensing is available to operate Mastercam at a lower price over time, to complement long-term planning and budgeting capabilities.



Subscription licensing gives you lower up-front costs and renewable, term-based access to Mastercam with steady, predictable payments.



Mastercam Maintenance maximizes your productivity with priority access to the latest software, customer support, and so much more.

For more information, contact a local Mastercam expert at
[Mastercam.com/Resellers](https://www.mastercam.com/Resellers).

CNC Software, LLC
671 Old Post Road
Tolland, CT 06084 USA



www.mastercam.com

Mastercam[®]

Mastercam[®] is a registered trademark of CNC Software, LLC. All other trademarks are property of their respective owners.
© 1983-2022. All rights reserved.